

# PRODUCT INFORMATION PACKET



Model No: 5KC49NN0061T

Catalog No: 5KC49NN0061T

Fan and Blower Motor, 1 HP, 1 Ph, 60 Hz, 115/208-230 V, 1800 RPM, 56Z Frame, DP



Regal and Leeson are trademarks of Regal Rexnord Corporation or one of its affiliated companies.

©2024 Regal Rexnord Corporation, All Rights Reserved. MC017097E





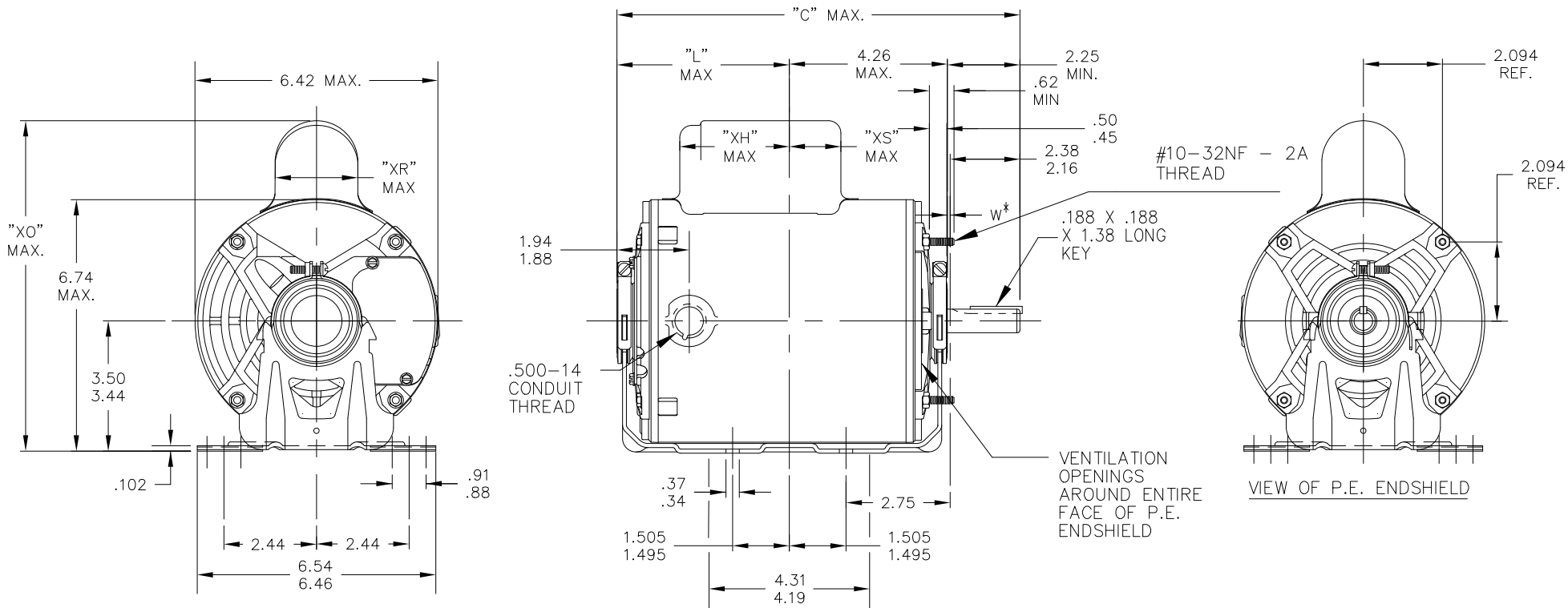
**Nameplate Specifications**

Phase	1	Output HP	1 Hp
Output KW	0.75 kW	Voltage	115/208-230 V
Speed	1725 rpm	Service Factor	1
Frame	56Z	Enclosure	Drip Proof
Thermal Protection	Automatic	Efficiency	69 %
Ambient Temperature	40 °C	Frequency	60 Hz
Current	14.4,7.2-7.2 A	Power Factor	0
Duty	Continuous	Insulation Class	B
KVA Code	J	Drive End Bearing Size	6203
Opp Drive End Bearing Size	6203	UL	Recognized
CSA	Yes	CE	N
Number of Speeds	1		

**Technical Specifications**

Electrical Type	Capacitor Start Induction Run	Starting Method	SM
Poles	4	Rotation	Counterclockwise/Clockwise
Mounting	Resilient Base	Motor Orientation	ANY
Drive End Bearing	BALL	Opp Drive End Bearing	Ball
Frame Material	Rolled Steel	Overall Length	10.77 in
Frame Length	7.15 in	Shaft Diameter	0.630 in
Shaft Extension	2.25 in		
Connection Drawing	52A105383AA	Outline Drawing	52A107762P2


This is an uncontrolled document once printed or downloaded and is subject to change without notice. Date Created:09/18/2024



\*W IS A VARIABLE CLEARANCE DUE TO VARIATIONS IN PARTS AND ASSEMBLY

ALL DIMENSIONS ARE IN INCHES

2	KC	49	56Z	11.75	5.22	1.75	8.22	1.60	3.45		7.15
1	KC	46	56Z	11.15	4.62	3.03	8.22	1.60	2.73		6.55
P	TYPE	FR SIZE	NEMA FR.	"C"	"L"	"XH"	"XO"	"XR"	"XS"		MIN. SHELL

TOLERANCES UNLESS SPECIFIED				 <b>REGAL-BELOIT CORPORATION</b>				DRAWN AP 8/19/22			
DEC.		INCHES						CHK SN 08/19/22			
.X		±.1						APPD			
.XX		±.03						SCALE 3=8			
.XXX		±.005		TITLE OUTLINE				REF			
.XXXX		±.0005		GENERAL PURPOSE MOTOR DRIP PROOF				FMF			
NO.		REVISION		BY & DATE		CHK ANG ±1/2"		FINISH		PREV	

THIS DRAWING IN DESIGN AND DETAIL IS OUR PROPERTY AND MUST NOT BE USED EXCEPT IN CONNECTION WITH OUR WORK ALL RIGHTS OF DESIGN AND INVENTION ARE RESERVED THIS IS AN ELECTRONICALLY GENERATED DOCUMENT - DO NOT SCALE THIS PRINT

RFP	CAD FILE	52A107762	SIZE	DRAWING NO.	REV.
DIST	3 of 4		A	52A107762	01

EITHER ROTATION, DUAL VOLTAGE, TYPE KC OR KH, WITH THERMAL PROTECTION



NOTE #1 - START CAP & J9 WHEN SPECIFIED (\*). IF NO CAPACITOR (KH), CONNECT T5 DIRECTLY TO SWITCH (A). WHEN MORE THAN ONE CAPACITOR IS USED, CONNECT IN PARALLEL.

NOTE #2 - TO REVERSE ROTATION, INTER CHANGE RD(T8) AND BLK(J9-KC OR T5-KH) LEADS.

SWITCH REF. - 115D958AB	CONNECTION LABEL	CCW ROTATION: NP52X332051AA
		CW ROTATION: NP52X332051AC

NO.	REVISION	BY & DATE	CHK	TOLERANCES UNLESS SPECIFIED		FINISH	DRAWN M.D.P 06/29/87		
				DEC.	INCHES				
				.X	±0.1	<b>REGAL-BELOIT CORPORATION</b> TITLE CONNECTION DIAGRAM 30 FRAME SWITCH REDESIGN	CHK		
				.XX	±0.02		SCALE 1=1		
5	ADDED CONNECTION LABEL PER ECO-0030779	UD 02/06/13	PKG	.XXX	±0.005	MAT'L.	APPD M.D.P 03/26/96		
4	UPDATED PER ISO7-0150	MD 01/23/07		.XXXX	±0.0005		REF		
				ANG	±1.0	PREV			
THIS DRAWING IN DESIGN AND DETAIL IS OUR PROPERTY AND MUST NOT BE USED EXCEPT IN CONNECTION WITH OUR WORK. ALL RIGHTS OF DESIGN AND INVENTION ARE RESERVED. THIS IS AN ELECTRONICALLY GENERATED DOCUMENT - DO NOT SCALE THIS PRINT				RFP	CAD FILE	52A105383AA	SIZE	DRAWING NO.	REV.
				DIST			A	52A105383AA	5